

Numerical control

VisiTouch 19 VisiTouch 19 MX

VisiTouch 19 is an outstanding numerical control for press-brakes composed of two main hardware elements:

- A programming console with 19" modern streamlined glass surface touch screen, generally attached to a swiveling arm.
- A Numerical Control in an all-in-one housing, placed inside the electrical cabinet, with analog and digital I/Os, sufficient to control 4 axes, typically Y1, Y2, X and R. For more complex machines, additional axes and I/O can be added via two CANopen® or one EtherCAT® field buses.



VisiTouch 19 is available in two versions:

- VisiTouch 19 with graphical profile drawing (Touch Profile) and precise 2D program creation.
- VisiTouch 19 MX with 3D visualization, 3D import and full automatic solutions.

In addition to all the features available to control simple as well most sophisticated press brakes, VisiTouch offers also an open system allowing customization.

Main CNC and HMI features

Main features

Based on CybTouch software with a very user friendly HMI thanks intuitive programming and an ease to set up with dedicated wizards (auto-tuning).

All kinematics available for X, Xrelatives, Xslave, R, Rslave, and Z axes. For Back and Front multiples gauges. For bending aids.

Axis control through CANOpen with wide configuration capabilities.

Open system through customizable «User Cycles» and plug-in software modules.

Customizable User buttons for the machine operator.

High-end features

Full 3D visualisation and simulation.

Parts management with DXF flat pattern and 3D format files import.

Automatic solutions of complex parts: automatic bend sequencing, gauging, toolig and auto segmentation.

Running under Windows 7 for multitasking and networking.

All bending aid kinematics available. Back and Front multiples sets.

Angle measurement.

Software open features

PLC functionalities.

Interactions with the beam cycle.

Custom auxiliary functions. integration based on «UserCycles» for real time part and on plug-in for HMI part.

Custom User buttons.

Technical Characteristics - VisiTouch 19 programming Console

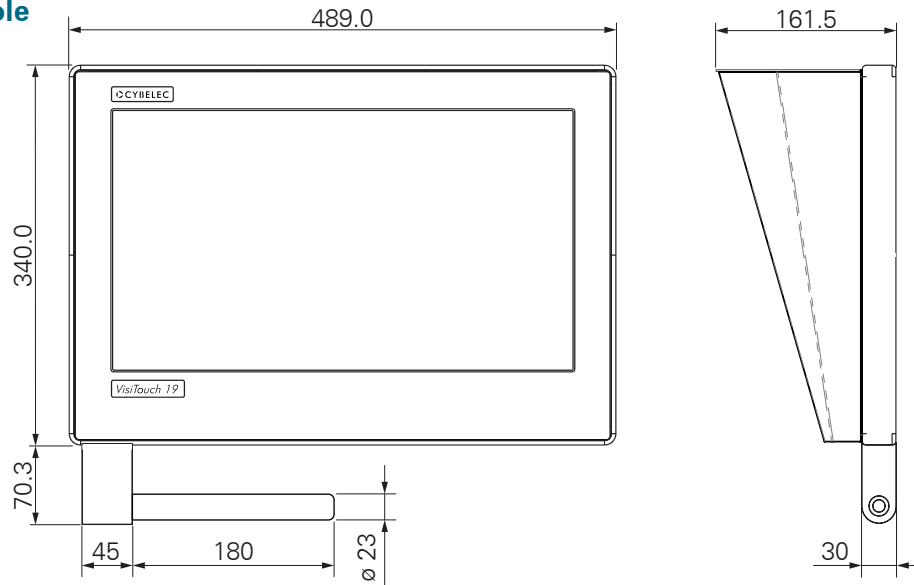
TFT screen	18.5" wide TFT 16:9
Resolution	1366 x 768, 24 bits (WXGA)
Touch screen	Multi-touch 10 fingers
USB ports	1 x USB 2.0, 0.5 A current capability each
Power Supply	+24V _{DC} @ 0.48A max.
Seal	IP65 - front side only
Handle	Included
Operating conditions	Min. 5° Celsius, max. 40° Celsius. If the ambient temperature approaches or exceeds 40° Celsius, it is advisable to install special ventilation, or even air-conditioning. Relative humidity (10 to 85% non-condensing).
Weight	
Languages	Chinese (simplified and traditional), Croatian, Czech, Danish, English (reference language), French, German, Hungarian, Italian, Polish, Russian, Slovenian, Spanish, Turkish.

Technical Characteristics - CybCNC3 controls

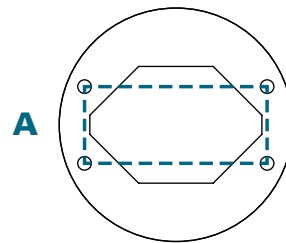
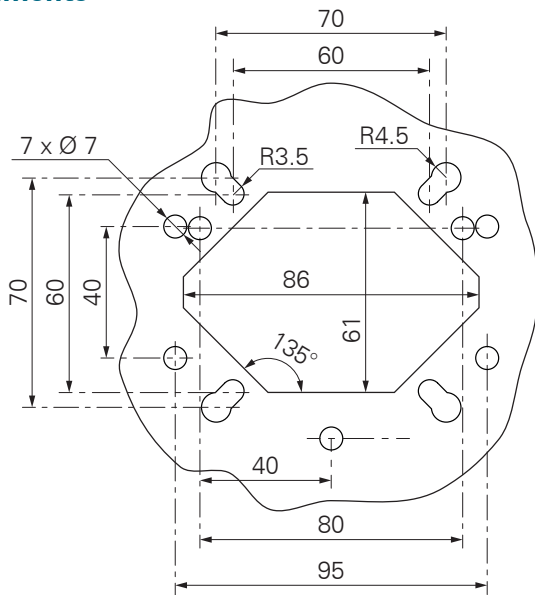
		CyBCNC3 2D	CyBCNC3 MX (3D)
Processor Unit	Model	AMD G-Fusion T40E Dual core @1.0 GHz	Intel Atom x7-E3950 Quad core @1.6GHz
	Graphic RAM	ATI Radeon HD series built-in 4 GB DDR3 RAM	Intel Gen 9LP Graphics 8 GB DDR3 RAM
	Cooling	Passive Heat sink, FAN less	Passive Heat sink, FAN less
Mass Storage	Capacity Interface	32 GB CFAST memory card SATA	32 GB CFAST memory card SATA
Display Interface		DVI	Up to 1920x1200, single-link DVI-D interface
Communication Port HMI non Realtime		LAN	1 Gigabit Ethernet, RJ-45 (10/100/1000)
		USB	4 USB 2.0 port
Operating temperature		0 - 40°C	
Power Supply (Numerical Control)		+24Vdc	@0.4A typ.(CN without I/O – X1 connector)
RTC – Calendar Clock		Battery	Lithium CR2032 / 3V @225mA/h
I/O Processor		ARM Cortex M7 series	
Digital Input		32	4mA typ. according to IEC61131-2 type 1 & 3 Isolation 2kV Filtering – debouncing and deglitching (by step of 250µs)
Digital Output		16 8	0.5A typ. /0.7A max. according to IEC61131-2 type 3 3A typ. /5A max. according to IEC61131-2 type 3 Isolation 2kV Overvoltage and Short circuit protection Status – output in fault and no 24V IO power supply
PWM Output		2	10mA typ. (NPN transistor type) Isolation 2kV Voltage +3.0 .. +30.0V Resolution 16-bit Period 1kHz typ. (5kHz max.)
Analog Input		4	Unifilar or differential Resolution 0-10V 12-bit (11-bit + sign)
Analog Output		6	Unifilar Resolution ±10V 12-bit (11-bit + sign), output at 0V in fault state Resistive load 1kΩ min. / capacitive load 2.2nF max
Analog Voltage Reference		1	Unifilar Voltage 10.000 V ±3mV @ 50mA max.
Encoder Interface		4	5V or 24V, unifilar type PNP/NPN or differential Frequency 500 kHz (signal A/B) 5 MHz (signal A/A̅/B/B̅) Aux. Power – output 5V @ 1.0A (typically 4x 250mA)
Power Supply (Digital Inputs/Outputs)		+24Vdc @ 20A max.	
Serial Communication		1	RS-232C/RS-485, D-sub 9-pin male Data flow 115kbps
Fieldbus Interface		2 CAN 1 EtherCAT	1Mbps CAN 2.0 A, RJ-45, CANopen Master 100Mbps EtherCAT, RJ-45, Master System

Dimensions

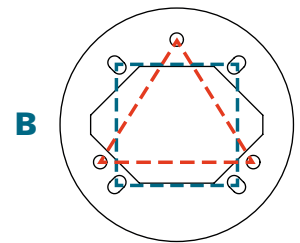
Programming Console



Attachments



A 40 x 95



B 60 x 60 or 65 x 65

80 x 80 x 80

Two adapters are provided.
Stick the appropriate one on top of the box.

VisiTouch range and options

Programming Console

S-VST-19	VisiTouch console 19", glass surface touchscreen
----------	--

CybCNC3 controls

S-CNC-34PS2D	CNC unit, 4 axes (Y1, Y2, 2 axes), PS-2D license
S-CNC-34PS3D	CNC unit, 4 axes (Y1, Y2, 2 axes), PS-MX license (3D)

CybMVA modules

S-MVA-CNF	Compact module, valve control without feedback (CANopen only)
S-MVA-CF2	Compact module, valve control with feedback and 2 additional axes requiring axes licenses
S-MVA-MF4	Multi module, valve control with feedback and 4 additional axes requiring axes licenses
S-MVA-MF6	Multi module, valve control with feedback and 6 additional axes requiring axes licenses
S-MVA-MF8	Multi module, valve control with feedback and 8 additional axes requiring axes licenses
S-MVA-MF10	Multi module, valve control with feedback and 10 additional axes requiring axes licenses

Optional software licenses

S-OFT-1_AX	Additional axis license
S-OFT-4_USER_IO	Additional user IO license; 4DI/4DO/1AI/1AO
S-OFT-BAH	Bendind aids and sheet support
S-OFT-AM	Angle measurement
S-OFT-VST/TDM	Tandem management
S-OFT-IMPORT	Import license, DXF flat, IGES, STEP, SW
S-OFT-VST2D	Offline software license, VisiTouch 2D
S-OFT-VST3D	Offline software license, VisiTouch 3D

Wires

S-CNF-DVID0450	DVI wire 4.5m, according to Cybelec specs
S-CNF-US2AB0450	USB 2.0 extention wire, 4.5m, according to Cybelec specs
S-CNF-DVID1000	DVI wire 10m, according to Cybelec specs
S-CNF-US2AB1000	USB 2.0 extention wire, 10m, according to Cybelec specs
S-CNF-DVID01500	DVI wire 15m, according to Cybelec specs
S-CNF-US2AB1500	USB 2.0 extention wire, 15m, according to Cybelec specs